

PRODUCT CATALOG

BV SYSTEM



Dental Implant System

Add: No.26, Huashan Middle Road, Xinbei Zone, Changzhou, Jiangsu, China, 213022 www.bioconcept.cn

Tel: +86-519-67895691 E-mail: intlsales@bioconcept.cn



Benefit more people

www.bioconcept.cn

BV SYSTEM

BV Implant System

- 01 BV Implant
- 02 Extra-Wide Implant
- 03 Carrier
- 03 Cover Screw
- 04 Healing Abutment
- 05 Impression Coping (open tray)
- 06 Impression Coping (closed tray)
- 07 Implant Lab Analog
- 07 Esthetic-low Lab Analog
- 08 Transfer Abutment
- 10 Angled Abutment
- 11 Temporary Abutment
- 12 Multi Abutment
- 13 Multi Angled Abutment
- 14 Multi Abutment Outer Driver
- 14 Multi-angled Abutment Carrier
- 14 Esthetic-low Polishing Protector
- 14 Esthetic-low Temporary Cylinder
- 14 Esthetic-low Healing Cap
- 15 Tibase
- 16 Scanbody
- 16 Digital Analog

BV Surgical Kit

- 17 Lance Drill
- 17 Sidecut Drill
- 17 Drill Extension
- 18 Ø2.0 Pilot Drill
- 18 Ø3.0 Pilot Drill
- 19 Twist Drill
- 19 Taper Drill
- 20 Alignment Pin
- 20 Depth Gauge
- 20 Hex Driver
- 21 Adapter
- 21 Fixture Driver
- 21 Ratchet Wrench

BV Extra-wide Surgical KIT

- 22 Sidecut Drill
- 22 Pilot Drill
- 22 Twist Drill
- 23 Taper Cortical Drill
- 23 Mount Driver
- 23 NoMount Torque Driver
- 24 Hand Driver 1.2 Hex
- 24 Ratchet Wrench & Tools

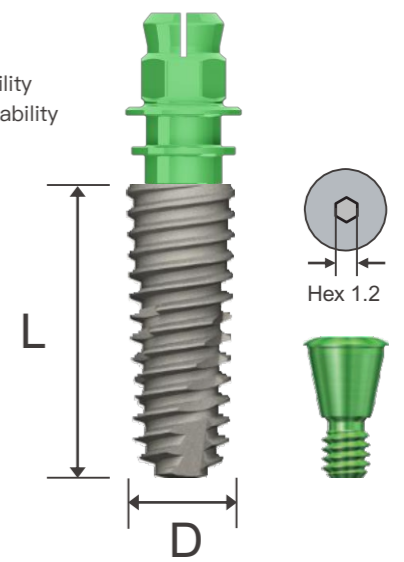
BV Prosthetic KIT

- 25 Hand Driver
- 25 Torque Driver
- 25 Ratchet Wrench
- 26 Torque Wrench Bar Type
- 26 Multi Abutment Outer Driver
- 26 BV Equator Square Screwdriver for ratchet

BV Implant

- Bone level with 11° Morse taper internal hex connection
- Optimized design of threads for S-L-A surface treatment
- Taper body with corkscrew thread design that acquires superior initial stability
- Narrow threads that increases self-threading, path-correction and initial stability in soft bone
- Narrow corkscrew threads that increase self-threading
- Snap-in mount for easy handling
- Packing unit: Abutment + Cover Screw (H: 0.4)

- M** Mini
- R** Regular



	D \ L	7	8.5	10	11.5	13	15
M							
Ø 3.5							
		311010	311020	311030	311040	311050	
R							
Ø 4.0							
		312010	312020	312030	312040	312050	312060
R							
Ø 4.5							
		313010	313020	313030	313040	313050	313060
R							
Ø 5.0							
		314020	314030	314040	314050	314060	314070

BV Implant (Extra-Wide)

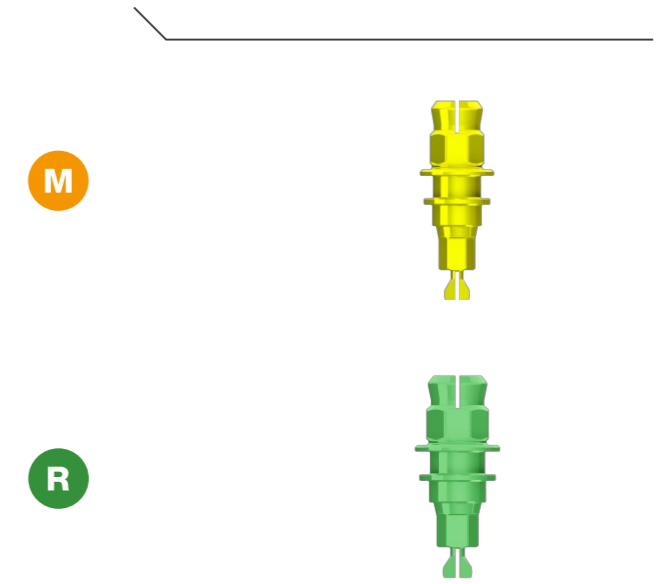
	D \ L	7	8.5	10	11.5	13
R						
	Ø 6.0	315020	315030	315040	315050	315060
R						
	Ø 7.0	316020	316030	316040	316050	316060

Carrier & Cover Screw

Carrier

- Snap-in mount for easy handling

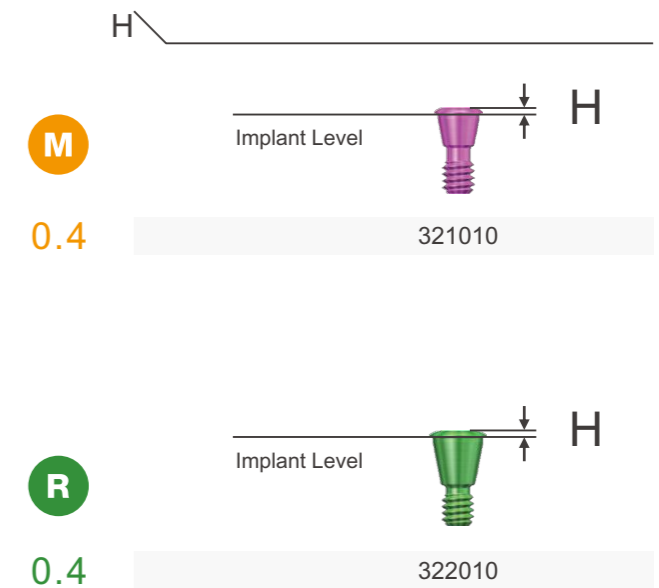
- M Mini
- R Regular



Cover Screw

- G/H 2.0mm is suitable for deep implantation, better space control during bone grafting, second stage surgery is more conducive to detection
- Recommended tightening torque: 5-8Ncm
- Connected with a 1.2 hex hand driver

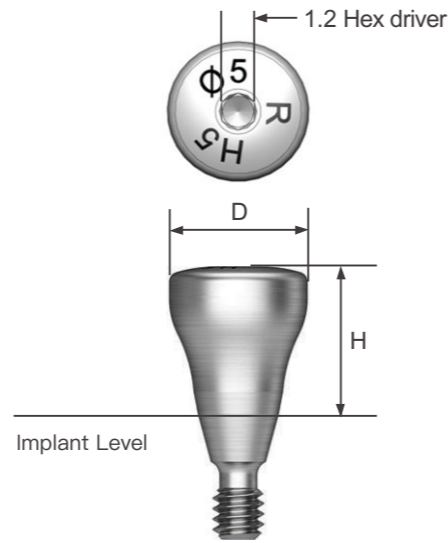
- M Mini
- R Regular



Healing Abutment

- Connected with a 1.2 hex hand driver
- Variety of gingival height and abutment diameter provide more convenience for later prosthesis
- Recommended tightening torque: 5–8Ncm

- M** Mini
- R** Regular



M

D \ L	3	4	5	7
Ø 4.0	323010	323020	323030	323040
Ø 4.5	323110	323120	323130	323140
Ø 5.5	323310	323340	323320	323330

R

D \ L	3	4	5	7
Ø 4.0	324010	324020	324030	324040
Ø 5.0	324110	324120	324130	324140
Ø 5.5	324510	324520	324530	324540
Ø 6.0	324210	324220	324230	324240
Ø 7.0	324310	324320	324330	324340

Transfer Parts

Impression Post Open Tray

- Components for Fixture level impression with Open tray
- The one – to – one structure improves the stability of the impression taking
- Impression coping have different choices of height,suitable for all kinds of dental mold
- Connected with a 1.2 hex hand driver
- Packing unit:impression coping body+guide pin

- M** Mini
- R** Regular

M

Ø 4.0

D \ L	11	15
Ø 4.0	361110	361120

R

Ø 4.0

Ø 5.0

Ø 6.0

D \ L	11	15
Ø 4.0	362210	362240
Ø 5.0	362220	362250
Ø 6.0	362230	362260

Esthetic–low Pick–up Impression Coping

- Open tray impression using individual pallet to take mold
- The one – to – one structure improves the stability of the impression taking
- Connected with a 1.2 hex hand driver
- Packing unit:impression coping body+guide pin

- M** Mini
- R** Regular

Ø 4.8

D \ L	8
Ø 4.8	362470

Fixture Transfer Impression Coping

- For closed tray impressions
- Easy to operate. Triangular arc enabling precise placement, Significantly improve model accuracy
- Connected with a 1.2 hex hand driver
- Packing unit: Hex impression coping body + guide pin

M Mini

R Regular

D \ L 11 14

M



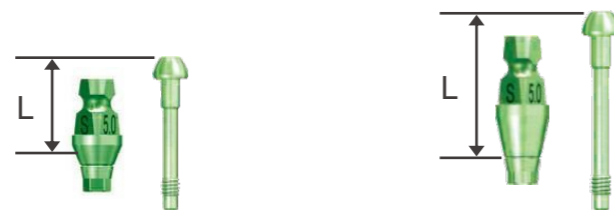
Ø 4.0

361160

361170

D \ L 11 14

R



Ø 4.0

362300

362310

Ø 5.0

362320

362330

Ø 6.0

362340

362350

Esthetic-low Transfer Impression Coping

- For closed tray impressions
- 1.2 Hex Hand Driver

M Mini

R Regular

Ø 4.8



362480

Fixture Lab Analog

- Reproducing the platform part of the fixture in the work model

M Mini

R Regular

D \ L 8

M



361010

R



362010

Esthetic-low Lab Analog

- Replicate of Rigid abutment for accurate orientation on model after impression

M Mini

R Regular

D \ L 8

M



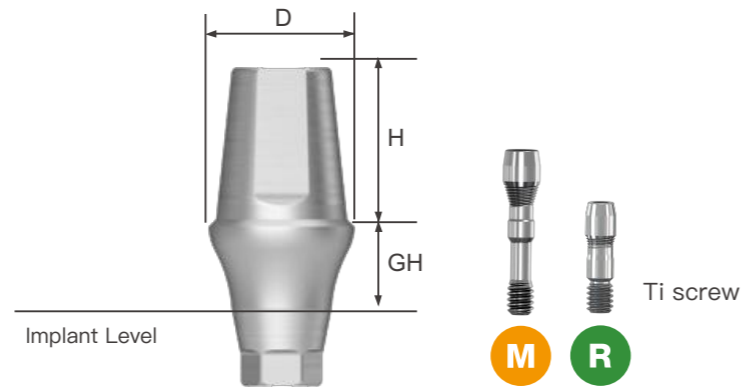
362140

R

Transfer Abutment

- Cement-retained/combination type
- Connected with a 1.2 hex hand driver
- Recommended tightening torque:
30Ncm(Mini) 35Ncm(Regular)
- Packing unit: Abutment+Ti screw

M Mini
R Regular



Ø 4.5	H \ GH	1.0	2.0	3.0	4.0	5.0
M						
5.5		331010	331020	331030	331040	331050
7.0		331510	331520	331530	331540	331550

Ø 4.5	H \ GH	1.0	2.0	3.0	4.0	5.0
R						
5.5		331060	331070	331080	331090	331100
7.0		331110	331120	331130	331140	331150

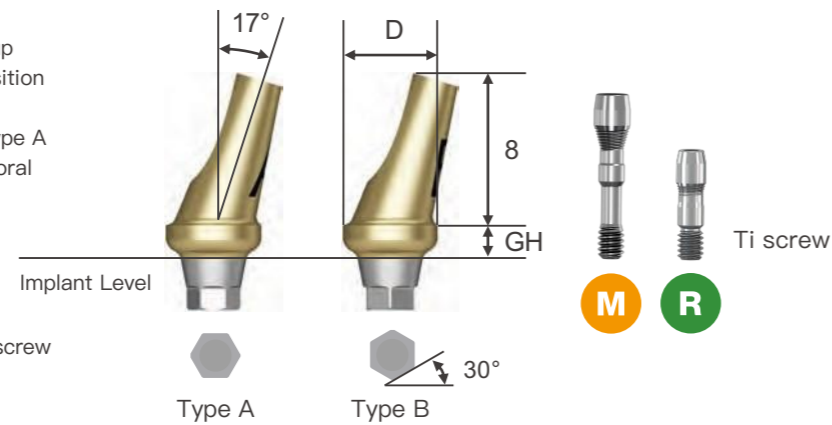
Ø 5.0	H \ GH	1.0	2.0	3.0	4.0	5.0
R						
5.5		331160	331170	331180	331190	331200
7.0		331210	331220	331230	331240	331250

Ø 6.0	H \ GH	1.0	2.0	3.0	4.0	5.0
R						
5.5		331310	331320	331330	331340	331350
7.0		331360	331370	331380	331390	331400

Ø 7.0	H \ GH	1.0	2.0	3.0	4.0	5.0
R						
5.5		331410	331420	331430	331440	331450
7.0		331460	331470	331480	331490	331500

Angled Abutment

- Axial Inclination angle compensation up to 17°, can be used to change the position of prosthetics
- Used for selecting angled abutment type A or type B diameter, and G/H when in oral cavity or in a working model
- Gold meets aesthetic needs
- Torque using a 1.2 hex driver
- Recommended tightening torque: 20Ncm(mini), 30Ncm(regular)
- Packing unit: Abutment + EbonyGold screw



M Mini
R Regular

D \ GH	2.0		4.0		
	Type	Hex A	Hex B	Hex A	Hex B
M					
Ø 4.5	333010	333020	333040	333050	

D \ GH	2.0		4.0		
	Type	Hex A	Hex B	Hex A	Hex B
R					
Ø 5.0	333070	333080	333100	333110	

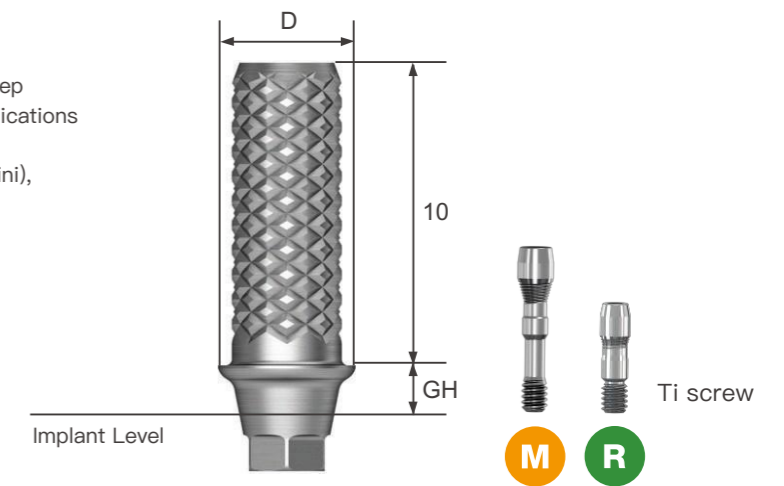
D \ GH	2.0		4.0		
	Type	Hex A	Hex B	Hex A	Hex B
R					
Ø 6.0	333130	333140	333160	333170	

Temporary Abutment

Temporary Abutment

- Used to make temporary prosthesis after prep
- Easy to adjust and have a wide range of indications
- Torque using a 1.2 hex driver
- Recommended tightening torque: 20Ncm(mini), 30Ncm(regular)
- Packing unit: Abutment+Ti screw

M Mini
R Regular



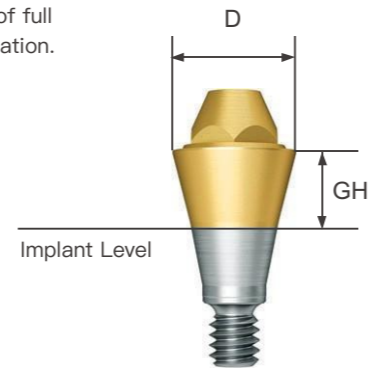
D \ GH	1.0		3.0		
	Type	Hex	Non-hex	Hex	Non-hex
M					
Ø 4.0	371010	371020	371030	371040	

D \ GH	1.0		3.0		
	Type	Hex	Non-hex	Hex	Non-hex
R					
Ø 4.5	371050	371060	371070	371080	

Multi Abutment

- A prosthetic system suitable for screw-retained bridge fixation of full denture on two or more implants, especially the edentulous situation.
- Screw-retained prosthesis for multiple prosthetic options
- Gingival part is gold
- Torque using convertible abutment outer driver (354050)
- Recommended tightening torque : 30Ncm

- M** Mini
- R** Regular



M	D \ GH	1.0	2.0	3.0	4.0	5.0
		337010	337020	337030	337040	337050

Ø 4.8

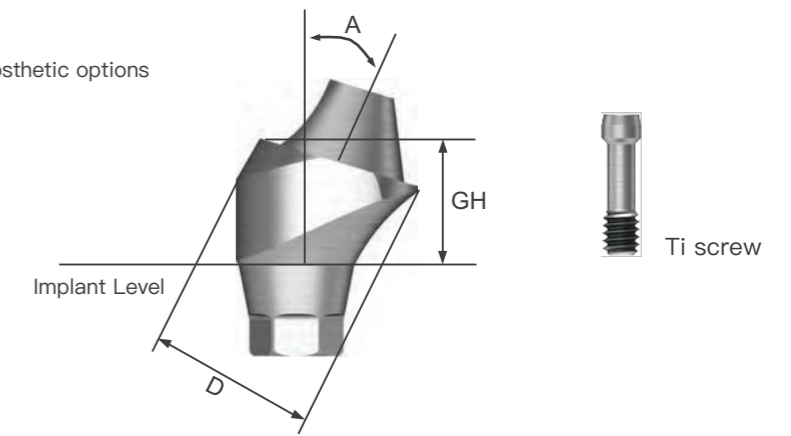
R	D \ GH	1.0	2.0	3.0	4.0	5.0
		337070	337080	337090	337100	337110

Ø 4.8

Multi Angled Abutment

- Screw-retained prosthesis for multiple prosthetic options
- Angle base connection (353050, 353060)
- Recommended tightening torque : 25Ncm(Mini),30Ncm(Regular)
- Packing unit: Abutment+ Angle abutment carrier +Ti screw
- Torque using a 1.2 hex driver

- M** Mini
- R** Regular



M	D , Angel \ GH	2.5	3.0	4.0
		337130	337140	337150

Ø 4.8, 17°

M	D , Angel \ GH	3.5	4.0	5.0
		337160	337170	337180

Ø 4.8, 30°

R	D , Angel \ GH	2.5	3.0	4.0
		337190	337200	337210

Ø 4.8, 17°

R	D , Angel \ GH	3.5	4.0	5.0
		337220	337230	337240

Ø 4.8, 30°

Multi Abutment Prosthetic attachments&Instruments

Multi Abutment Outer Driver

- Used to install multi abutment



Multi-angled Abutment Carrier

- Used to install Multi-angled abutment
- Can play the role of observing Angle and azimuth



Esthetic-low Polishing Protector

- Avoid damage to connection when prosthetic part polished



Esthetic-low Temporary Cylinder

- Used for making temporary abutment
- Easy to adjust, a wide range of indications
- Torque using a 1.2 hex driver
- Recommended tightening torque : 30Ncm
- Packing unit : Abutment + Ti screw



Esthetic-low Healing Cap

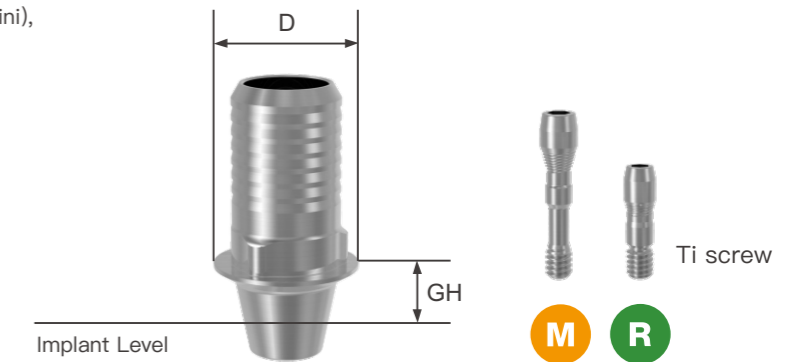
- Protect the multi abutment and reduce the patient's foreign body sensation
- Torque using a 1.2 hex driver
- Recommended tightening torque : 20Ncm
- Packing unit : Protect cap+Screw



Tibase

- Cement-retained/screw-retained/combination type prosthesis
- Torque using a 1.2 hex driver
- Recommended tightening torque 30Ncm(mini), 35Ncm(regular)

- M** Mini
- R** Regular



D \ GH	1.0		2.0	
	Hex	Non-hex	Hex	Non-hex
M				
Ø 4.0	H 3mm 813010	813010N	813020	813020N

Ø 4.0	H 5mm 813030	813030N	813040	813040N
--------------	--------------	---------	--------	---------







D \ GH	1.0		2.0	
	Hex	Non-hex	Hex	Non-hex
R				
Ø 4.5	H 3mm 813050	813050N	813060	813060N

Ø 4.5	H 5mm 813070	813070N	813080	813080N
--------------	--------------	---------	--------	---------

Scanbody

- Scan body for titanium custom abutment production
- For model scan: long (15mm)
- For intra oral scan: short (10mm)
- Connect with a 1.2 hex hand driver
- Packing unit: scan body + Ti screw

- M** Mini
- R** Regular


	D \ L	10	15
M			
Ø 3.8		361310	361320
	D \ L	10	15
R			
Ø 4.5		362570	362580
M			
Ø 3.8		361330	
R			
Ø 4.5		362630	

Digital Analog

BV Surgical Kit Instruments


Lance Drill

- Forms holes in the bone to facilitate initial drilling
- Bone density can be judged through drilling

	D	Ø 2.0
		
		351030


Sidecut Drill

- Used to adjust borehole orientation

	
	351050


Drill Extension

- Extends the length of the simple mount driver and converts it for use with the Torque Wrench
- Excessive torquing may cause damage to the bone or the inside of a fixture

	
	351940


Ø 2.0 Pilot Drill

- The 7–13mm specification has a stop ring; 15mm with no stop ring

L \ D	Ø 2.0
	
7	351080
8.5	351110
10	351140
11.5	351170
13	351250
15	351380







Ø 3.0 Pilot Drill

- The 11.5mm length specification has a stop ring; 15mm with no stop ring

L \ D	Ø 3.0
	
11.5	351180
15	351300

Twist Drill

- Choose correspondent twist drill to the diameter and length of the implant

L \ D	Ø 3.5	Ø 4.0	Ø 4.5	Ø 5.0	Ø 6.0	Ø 7.0
						
7	351700	351760	351820	351880	352530	352590
8.5	351710	351770	351830	351890	352540	352600
10	351720	351780	351840	351900	352550	352610
11.5	351730	351790	351850	351910	352560	352620
13	351740	351800	351860	351920	352570	352630
15	351750	351810	351870	351930		

Taper Drill

- Used after twist drill to expand cortical bone
- Suitable for hard bone
- Select the drill bit to match the implant diameter
- The lower marking line is based on 8.5mm and shorter implants, the upper marking line is based on 10mm and longer implants
- It is recommend to drill to the bottom of marking line

L \ D	Ø 3.5	Ø 4.0	Ø 4.5	Ø 5.0	Ø 6.0	Ø 7.0
						
	351610	351620	351630	351640	352650	352660

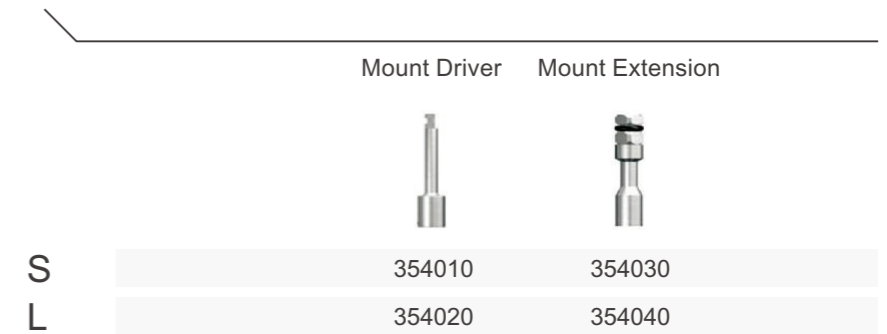
Alignment Pin

- Used to check the direction and position of the spare hole
- Used to forecast subsequent diameter of prosthetic abutment



Adapter

- Used as a torque driver to connect to the engine



Depth Gauge

- Thin end: Measurement of borehole length
- Large end: Gingival height was measured after implantation



Fixture Driver

- Used to grasp and amend the height of implant after taking off the analog
- Used to remove implant



Hex Driver

- Re-threads the internal connection of a fixture
- Connects to a torque wrench or ratchet wrench to re-thread by hand
- The recommended torque shall not exceed 60Ncm when the wrench is lifted with hexagon screws(fracture occurs if too much torque is applied).
- Check whether the hexagon screw is fully embedded before use, otherwise damage may occur even at low torque. It should be used vertically. If due to long time use or excessive torque to cause the tip to bend, please replace it immediately.



Ratchet Wrench & Instruments

- Apply torque of 10Ncm, 20Ncm, 30Ncm, 35Ncm
- To adjust the mounting position of the implant, tighten the base or screw
- The product should be cleaned and sterilized after use



BV Extra-wide Surgical KIT

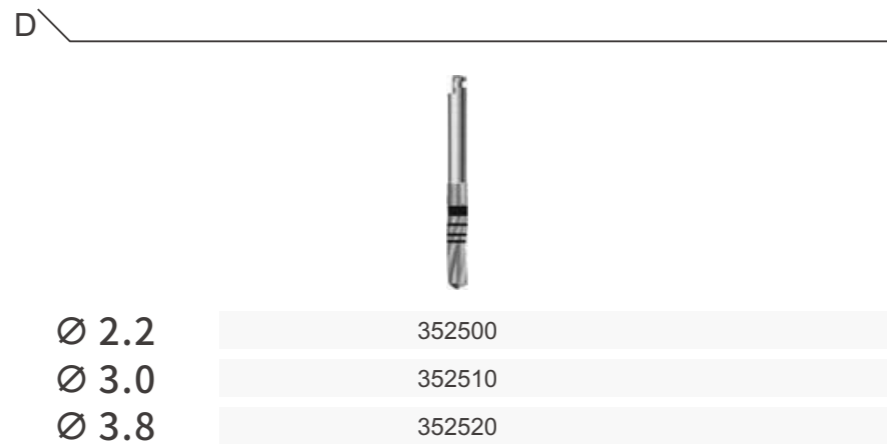
Sidecut Drill

- Used to adjust drilling direction



Pilot Drill

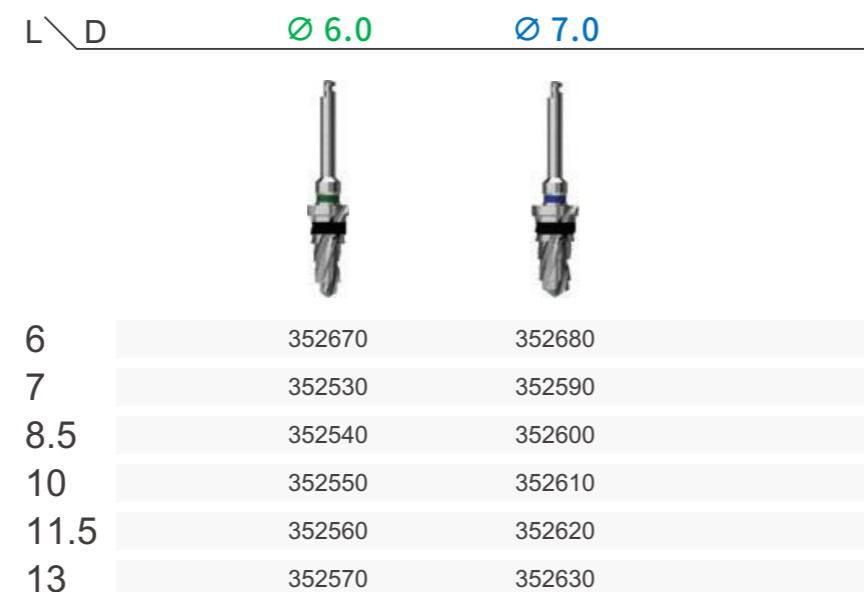
- No Stopper
- Bone density can be determined during hole drilling



Twist Drill

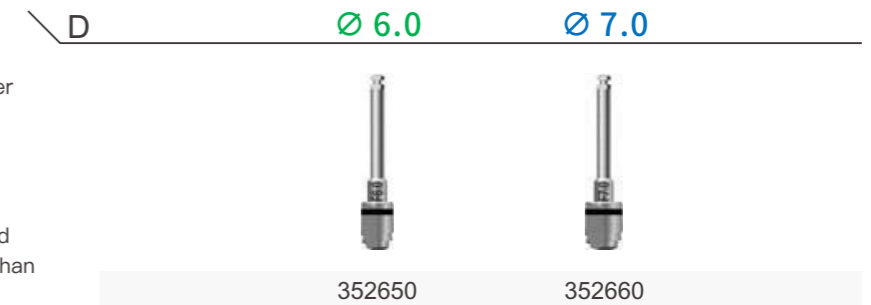
- Select the corresponding drill according to the diameter and length of the implant
- The color coding on the drill bit indicates the drill diameter and the corresponding implant diameter:

Ø6.0: Green
Ø7.0: Blue



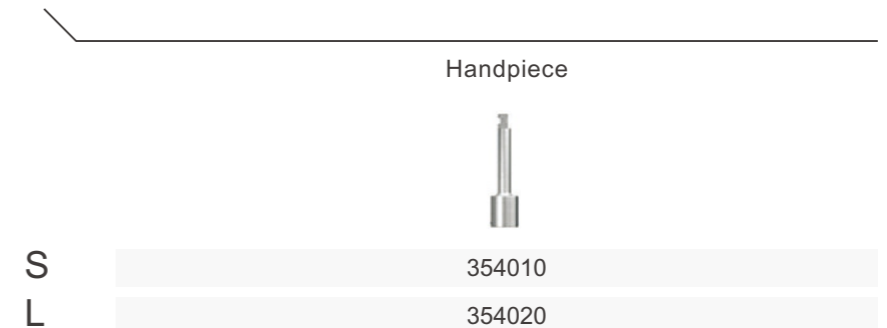
Taper Cortical Drill

- It is used to expand cortical bone after twist drilling.
- It is applied for hard bones
- Select the right drill to match implant diameter.
- 7mm implant should be drilled forward directly until it cannot advance (less than the lower end marking line)
- It is recommended to drill to the lower edge of the marked line



Mount Driver

- For attaching the carrier and inserting the implant, or removing the carrier from the implant.



NoMount Torque Driver

- For grasping the implant and correcting the implant depth after removal of the carrier.
- Can also be used to remove implants



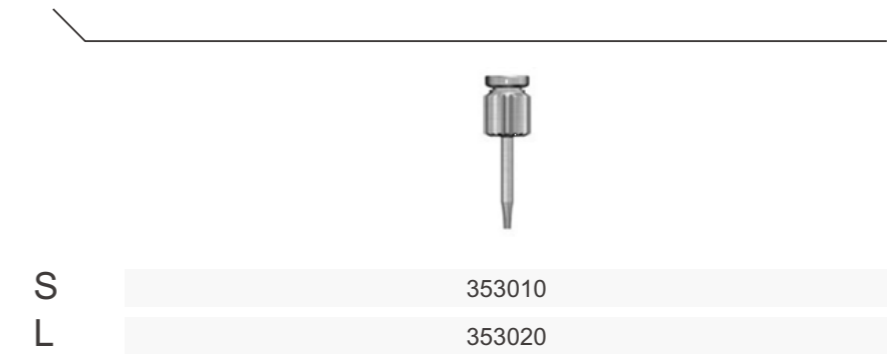
BV Prosthetic KIT

Hand Driver 1.2 Hex

- Check that the hexagon head screwdriver is fully seated when in use, otherwise damage may occur even at low torques
- Should be used vertically
- If the tip is bent due to prolonged use or excessive torque, replace it immediately



Hand Driver 1.2 Hex



Ratchet Wrench & Tools

- 10Ncm,20Ncm,30Ncm, 35Ncm torque can be applied
- Used to adjust the installation position of the implant, tighten the abutment or screw
- The product should be cleaned after use, and then sterilized for storage



Torque Driver 1.2 Hex



Ratchet Wrench



Torque Wrench Bar Type



355110

Multi Abutment Outer Driver
Hex 3.3mm



354050

Equator Square
Screwdriver for ratchet
Square 1.25mm



358010